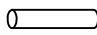

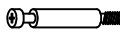

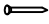
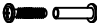
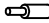
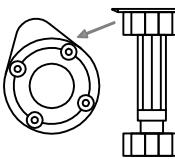


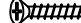
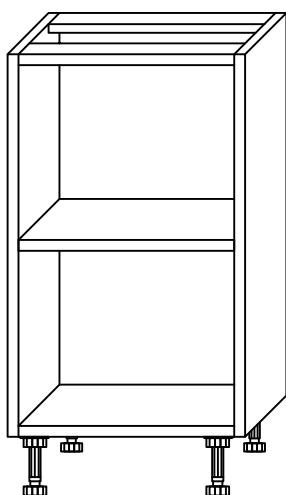
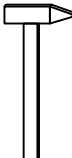

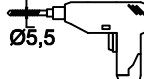
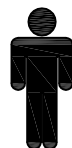


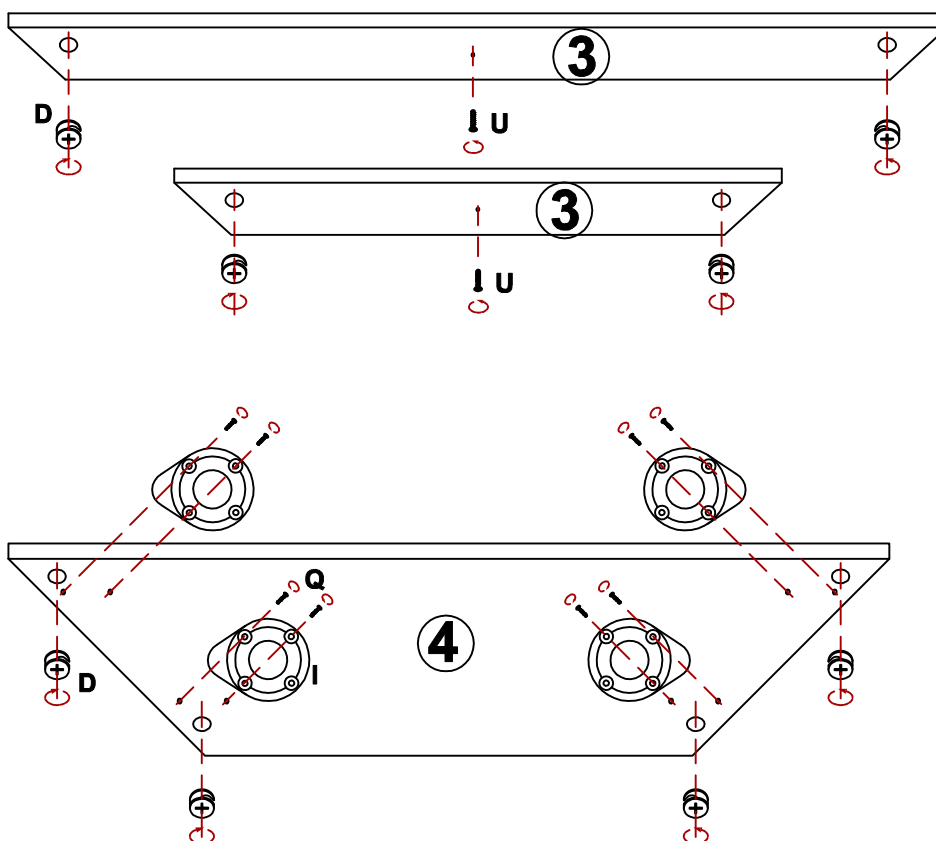


	A x12	B x8	C x8	D x8	F x20
					
G x2	H x4	I x4	J x8	Q x16	U x2
			$\varnothing 5 / \varnothing 13\text{mm}$ 	3,5x16mm 	4x40mm 

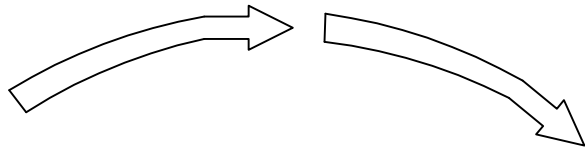
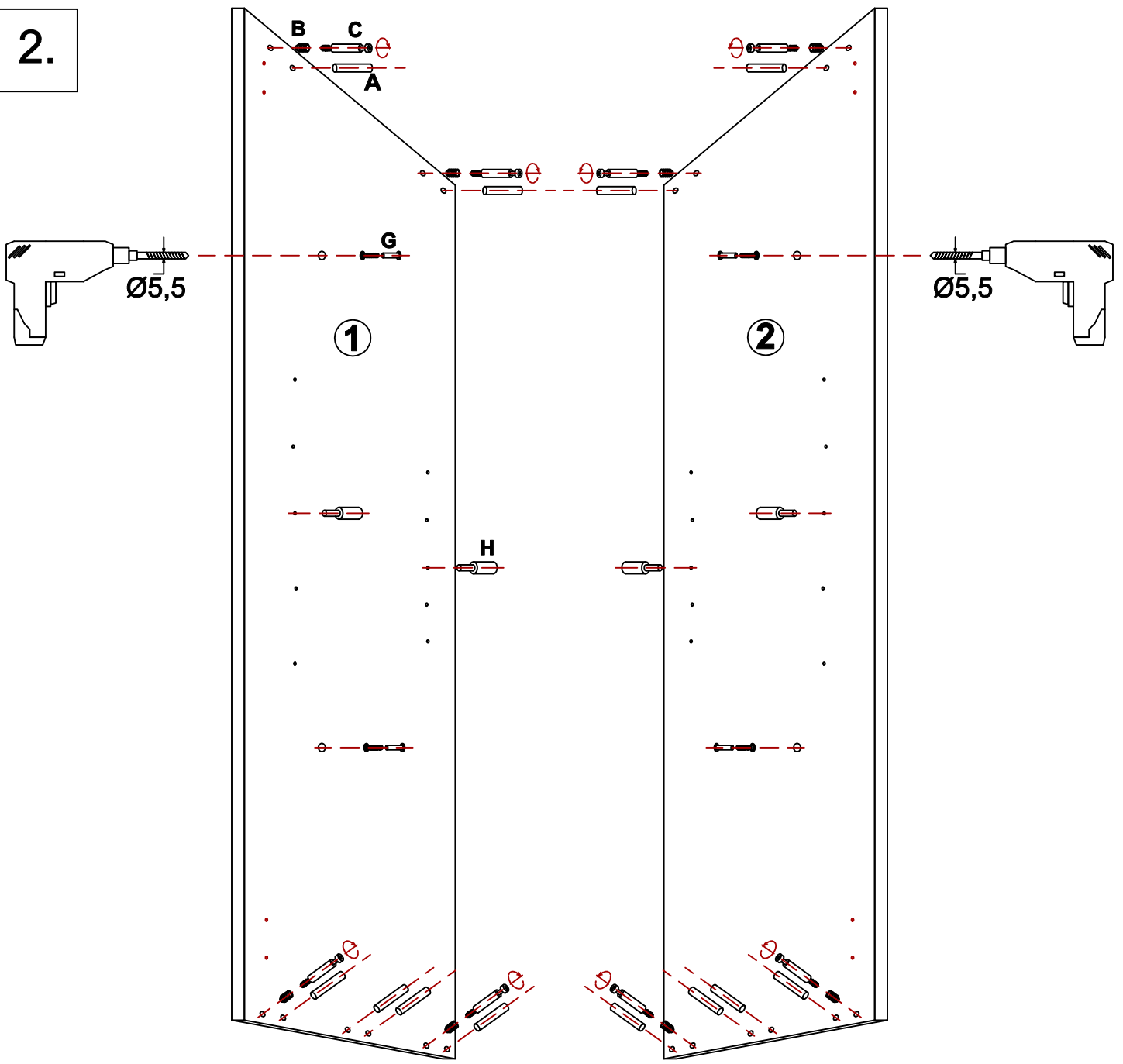


		
	 30 min	

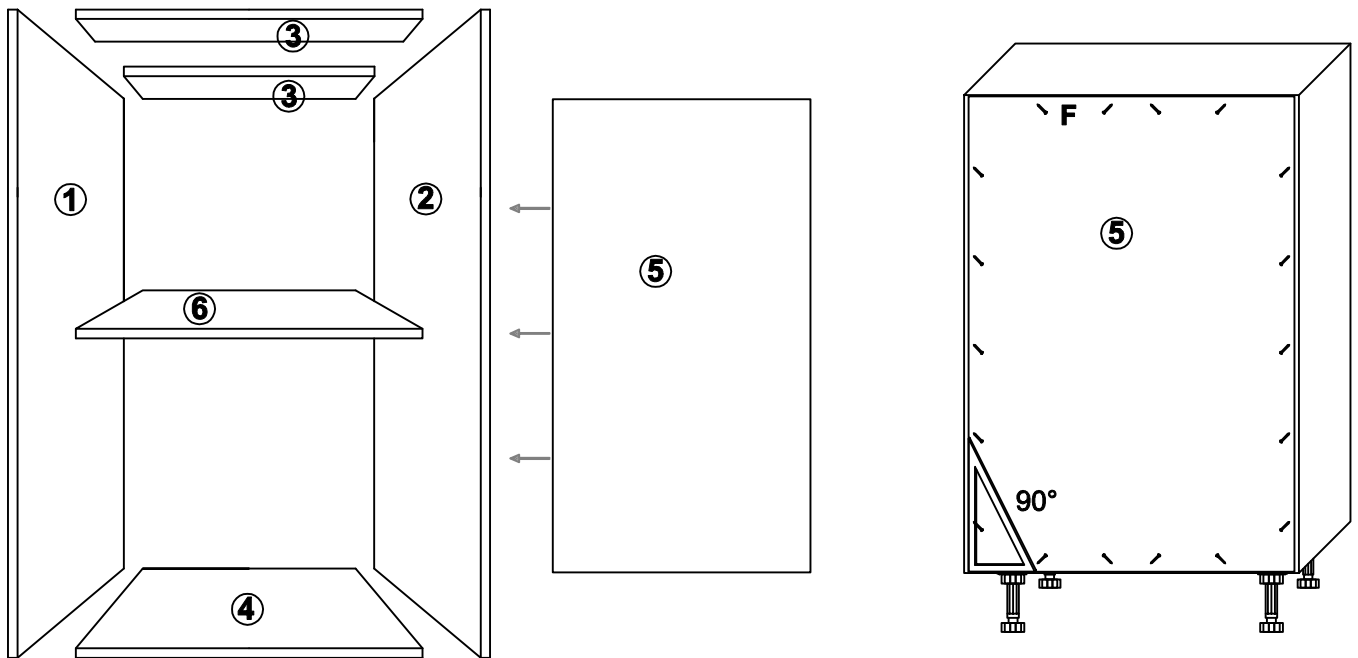
1.



2.



3.



2.